

Sony®

Sony Service Company
National Technical Services
A Division of Sony Electronics Inc.
San Diego, Ca 92127

CONFIDENTIAL

Service Bulletin



MODEL: FDR-AX53.

No. E58409851

Subject: Cannot record / play back 4K movie

Date: Feb. 13. 2017

Symptom:

- In case of pressing the recording button in 4K movie recording format, the camera may freeze or restart repeatedly.
- In case of 4K movie play back, the camera may freeze or restart repeatedly.

Applicable S/N:

All

Solution:

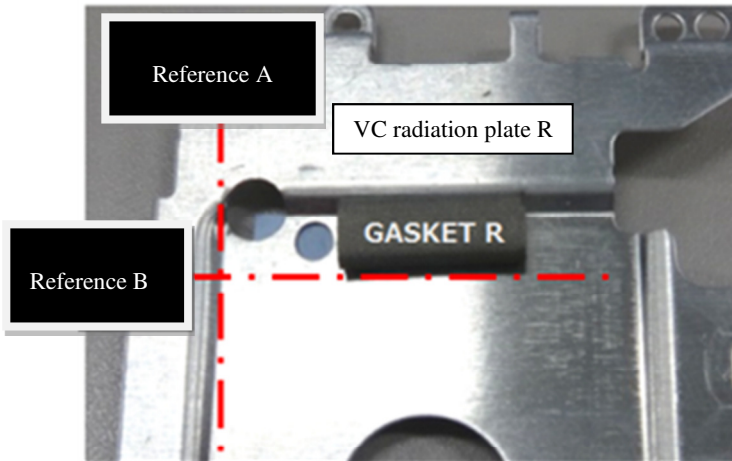
Contact of the lens block or the tripod block to the VC Board may damage the solder portion of the IC.

When replacing the VC board, attach sheet (0826)F to VC radiation plate R and attach sheet(0907)F to VC board by referring to the following figure which is described about the attachment position.

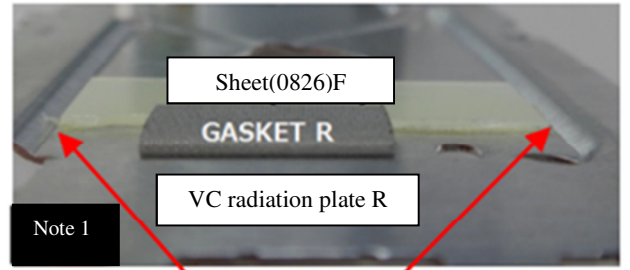
- Attachment of sheet(0826)F to VC radiation sheet R

[Attachment reference]

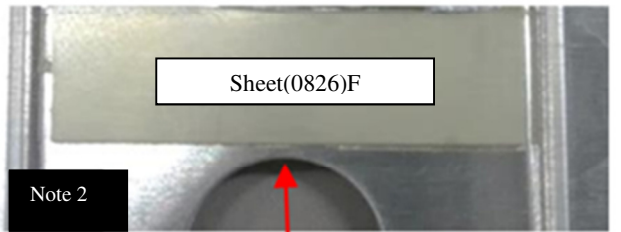
- Reference A: Alignment with the left end of the hole of VC radiation plate R
- Reference B: Alignment with the bottom end of GASKET R



[Caution]

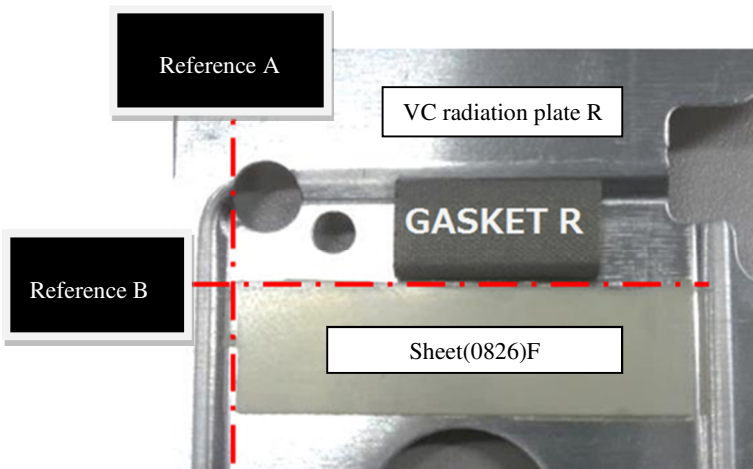


Sheet would not ride on slopes.



Sheet would not block hole.

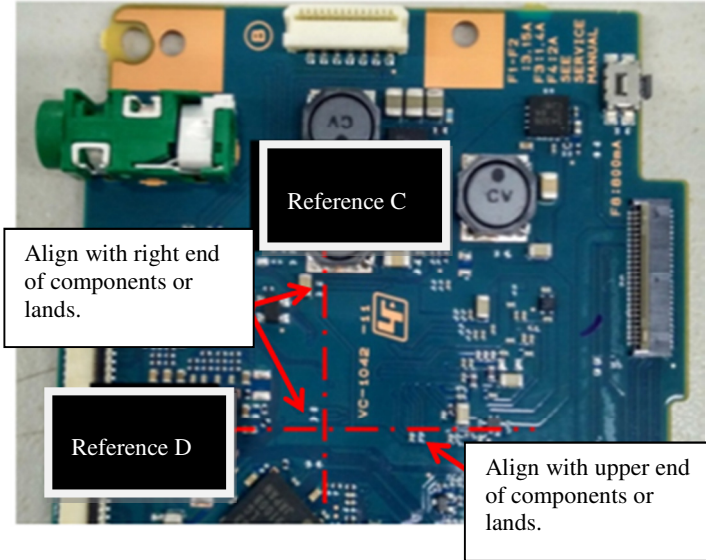
[After the attachment]



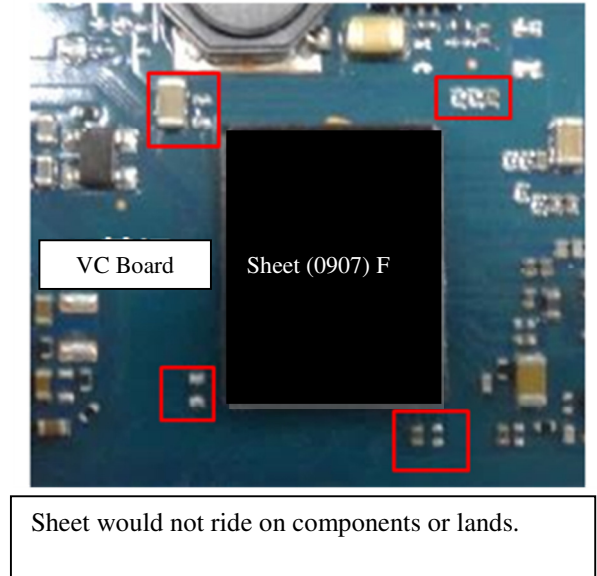
■ Attachment of sheet(0907)F to VC board

[Attachment standards]

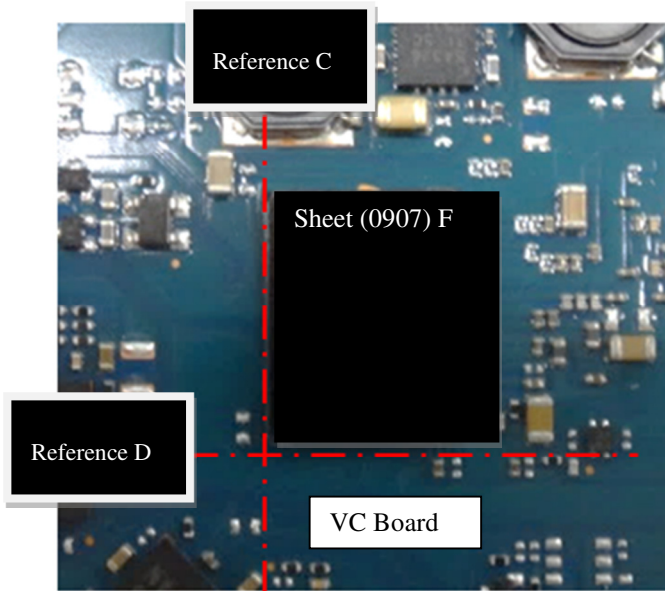
- Reference C: Alignment with the right end of chip, land
- Reference D: Alignment with the upper end of chip, land



[Caution]



[After the attachment]



REQUIRED PART / TOOL / SOFTWARE

PN: 4-694-187-01 → Sheet (0826)F

PN: 4-694-188-01 → Sheet (0907)F